

PRECAUTIONS TO AVOID POSSIBLE EXPOSURE TO EXCESSIVE MICROWAVE ENERGY

1. Do not attempt to operate this oven with the door open since open door operation can result in harmful exposure to microwave energy. It is important not to defeat or tamper with the safety interlocks.
2. Do not place any object between the oven front face and the door or allow soil or cleaner residue to accumulate on sealing surfaces.
3. Do not operate the oven if it is damaged. It is particularly important that the oven door close properly and that there is no damage to the
 - a. Door (bent),
 - b. Hinges and latches (broken or loosened),
 - c. Door seals and sealing surfaces.
4. The oven should not be adjusted or repaired by anyone except properly qualified service personnel.

IMPORTANT SAFETY INSTRUCTIONS

When using electrical appliance basic safety precautions should be followed, including the following:

WARNING: To reduce the risk of burns, electric shock, fire, injury to persons or exposure to excessive microwave energy:

1. This appliance can be used by children aged from 8 years and above and persons with reduced physical, sensory or mental capabilities or lack of experience and knowledge if they have been given supervision or instruction concerning use of the appliance in a safe way and understand the hazards involved. Children must never play with the appliance. Cleaning and user maintenance must never be carried out by children without supervision.

2. Children should be supervised to ensure that they do not play with the appliance.
3. Keep the appliance and the cable cord out of the reach of children less than 8 years old.
4. **WARNING:** In order to ensure your children's safety, please keep all packaging (plastic bags, boxes, polystyrene etc.) out of their reach.
5. If the supply cord is damaged it must be repaired by the Authorized Service Agent.
6. Never pull on the cord when unplugging.
7. Do not use the unit with a damaged cord or plug, or if it is not working properly.
8. Do not handle the appliance with wet hands.
9. Never immerse the appliance in water or any other liquid.
10. Make sure the appliance has been unplugged before cleaning.
11. This appliance must be installed following the national regulations for electrical installations.
12. This appliance is for household use only.
13. In case that you need a copy of the instruction manual, you can ask for it writing an email to

sonifer@sonifer.es.

14. The rear of the appliance should be against the wall.
15. **WARNING:** It is hazardous for anyone other than a trained person to carry out any service or repair operation which involves the removal of any cover which gives protection against exposure to microwave energy.
16. **WARNING:** Liquid or other food must not be heated in sealed containers since they are liable to explode.
17. If smoke is observed, switch off or unplug the appliance and keep the door closed in order to stifle any flames.
18. Microwave heating of beverage can result in delayed eruptive boiling, therefore care has to be taken when handling the container.
19. The contents of feeding bottles and baby jars should be stirred or shaken and the temperature should be checked before serving in order to avoid burns.
20. Eggs in their shell and whole hard-boiled eggs should not be heated in microwave ovens since they may explode even after microwave heating has ended.
21. **WARNING:** If the door or seals are damaged, the oven must not be used until properly repaired by qualified

service personnel.

22. Use only utensils that are intended for use in microwave ovens.

23. When heating food in plastic or paper containers, carefully attend the oven due to the possibility of ignition.

24. The intended use of the microwave oven is that of heating beverages and food. The drying of food or clothes and the warming of pillows, slippers, sponges, damp clothes and similar items may result in injury, ignition or fire.

25. The oven must be cleaned regularly and any food residue removed.

26. The failure to keep the oven clean could lead to damage in its surface and negatively affect the appliance's performance, leading to a potentially hazardous situation.

27. **WARNING:** Check the oven for any damage, for example, a misaligned or bent door, damaged door seals and sealing surfaces, broken or loose latches or hinges, and dents inside the oven or on the door. If there is any damage, do not operate the oven and contact the qualified service personnel.

28. Read these instructions completely before using the

microwave.

29. Use this appliance only for its intended use as described in this manual. Do not use corrosive chemicals or vapors in this appliance. This type of oven is specifically designed to heat, cook or dry food. It is not designed for industrial or laboratory use.

30. Do not operate the oven when empty.

31. To reduce the risk of fire in the oven cavity:

Remove wire twist-ties from paper or plastic bags before placing bag in oven.

Do not use the cavity for storage purposes. Do not leave paper products, cooking utensils or food in the cavity when not in use.

32. Do not fry food in the oven. Hot oil can damage oven parts and utensils and even result in skin burns.

33. Pierce foods with heavy skins such as potatoes, whole squashes, apples and chestnuts before cooking.

34. Cooking utensils may become hot because of heat transferred from the heated food. Potholders may be needed to handle the utensil.

35. Utensils should be checked to ensure that they are suitable for use in microwave oven.

36. This product is a Group 2 Class B ISM equipment. The definition of Group 2 which contains all ISM (Industrial, Scientific and Medical) equipment in which radio-frequency energy is intentionally generated and/or used in the form of electromagnetic radiation for the treatment of material, and spark erosion equipment. For Class B equipment is equipment suitable for use in domestic establishments and in establishments directly connected to a low voltage power supply network which supplies buildings used for domestic purpose.

37. **CAUTION:** The surface can remain hot during or after use.

38. Do not operate the device connected to an external timer or a separate remote control system.

39. **WARNING:** In case of misuse, there is a risk of possible injury.

SPECIFICATIONS

Power Consumption:	230V~ 50Hz, 1200W(Microwave)
Rated microwave power output:	700W
Operation Frequency:	2450MHz
Outside Dimensions:	262mm(H)×452mm(W)×345mm(D)
Oven Cavity Dimensions:	198mm(H)×315mm(W)×297mm(D)
Oven Capacity:	Compact 20Litres
Cooking Uniformity:	Turntable System
Net Weight:	Approx.10.5 kg

INSTALLATION

1. Make sure that all the packing materials are removed from the inside of the door.
2. **WARNING:** Check the oven for any damage, such as misaligned or bent door, damaged door seals and sealing surface, broken or loose door hinges and latches and dents inside the cavity or on the door. If there is any damage, do not operate the oven and contact qualified service personnel.
3. This microwave oven must be placed on a flat, stable surface to hold its weight and the heaviest food likely to be cooked in the oven.
4. Do not place the oven where heat, moisture, or high humidity are generated, or near combustible materials.
5. For correct operation, the oven must have sufficient airflow. Allow 20cm of space above the oven, 10cm at back and 5cm at both sides. Do not cover or block any openings on the appliance. Do not remove feet.
6. Do not operate the oven without glass tray, roller support, and shaft in their proper positions.
7. Make sure that the power supply cord is undamaged and does not run under the oven or over any hot or sharp surface.
8. The socket must be readily accessible so that it can be easily unplugged in an emergency.
9. Do not use the oven outdoors.

RADIO INTERFERENCE

Operation of the microwave oven can cause interference to your radio, TV, or similar equipment. When there is interference, it may be reduced or eliminated by taking the following measures:

1. Clean door and sealing surface of the oven.
2. Reorient the receiving antenna of radio or television.
3. Relocate the microwave oven with respect to the receiver.
4. Move the microwave oven away from the receiver.
5. Plug the microwave oven into a different outlet so that microwave oven and receiver are on different branch circuits.

MICROWAVE COOKING PRINCIPLES

1. Arrange food carefully. Place thickest areas towards outside of dish.
2. Watch cooking time. Cook for the shortest amount of time indicated and add more as needed. Food severely overcooked can smoke or ignite.
3. Cover foods while cooking. Covers prevent spattering and help foods to cook evenly.
4. Turn foods over once during microwave cooking to speed cooking of such foods as chicken and hamburgers. Large items like roasts must be turned over at least once.
5. Rearrange foods such as meatballs halfway through cooking both from top to bottom and from the center of the dish to the outside.

GROUNDING INSTRUCTIONS

This appliance must be grounded. This oven is equipped with a cord having a grounding wire with a grounding plug. It must be plugged into a wall receptacle that is properly installed and grounded. In the event of an electrical short circuit, grounding reduces risk of electric shock by providing an escape wire for the electric current. It is recommended that a separate circuit serving only the oven be provided. Using a high voltage is dangerous and may result in a fire or other accident causing oven damage.

WARNING Improper use of the grounding plug can result in a risk of electric shock.

Note:

1. If you have any questions about the grounding or electrical instructions, consult a qualified electrician or service person.
2. Neither the manufacturer nor the dealer can accept any liability for damage to the oven or personal injury resulting from failure to observe the electrical connection procedures.

The wires in this cable main are colored in accordance with the following code:

Green and Yellow = EARTH

Blue = NEUTRAL

Brown = LIVE

BEFORE YOU CALL FOR SERVICE

If the oven fails to operate:

1. Check to ensure that the oven is plugged in securely. If it is not, remove the plug from the outlet, wait 10 seconds, and plug it in again securely.
2. Check for a blown circuit fuse or a tripped main circuit breaker. If these seem to be operating properly, test the outlet with another appliance.
3. Check to ensure that the control panel is programmed correctly and the timer is set.
4. Check to ensure that the door is securely closed engaging the door safety lock system. Otherwise, the microwave energy will not flow into the oven.

IF NONE OF THE ABOVE RECTIFIES THE SITUATION, THEN CONTACT A QUALIFIED TECHNICIAN. DO NOT TRY TO ADJUST OR REPAIR THE OVEN YOURSELF.

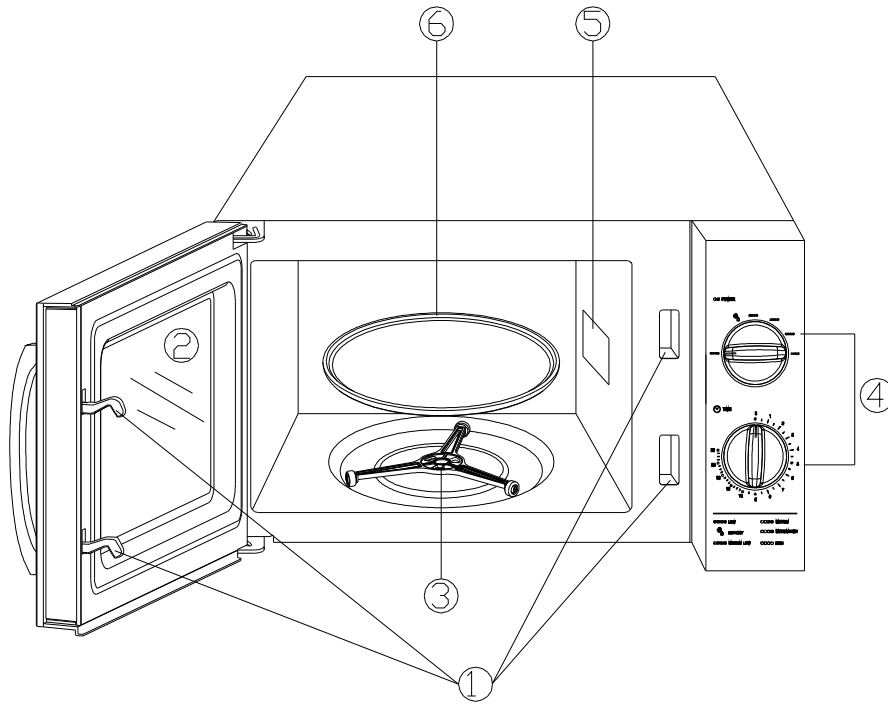
UTENSILS GUIDE

- a) The ideal material for a microwave utensil is transparent to microwave, it allows energy to pass through the container and heat the food.
- b) Microwave cannot penetrate metal, so metal utensils or dishes with metallic trim should not be used.
3. Do not use recycled paper products when microwave cooking, as they may contain small metal fragments which may cause sparks and/or fires.
4. Round /oval dishes rather than square/oblong ones are recommend, as food in corners tends to overcook.
5. Narrow strips of aluminum foil may be used to prevent overcooking of exposed areas. But be careful don't use too much and keep a distance of 1 inch (2.54cm) between foil and cavity.

The list below is a general guide to help you select the correct utensils.

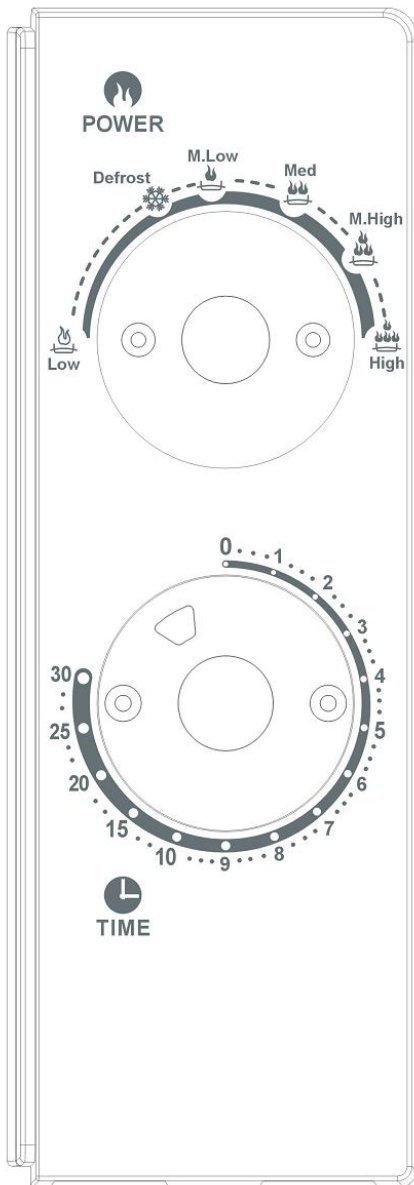
COOKWARE	MICROWAVE
Heat-Resistant Glass	Yes
Non Heat-Resistant Glass	No
Heat-Resistant Ceramics	Yes
Microwave-Safe Plastic Dish	Yes
Kitchen Paper	Yes
Metal Tray	No
Metal Rack	No
Aluminum Foil & Foil Containers	No

PART NAMES



1. Door Safety Lock System
2. Oven Window
3. Roller Ring
4. Control Panel
5. Wave Guide
6. Glass Tray

CONTROL PANEL



The control panel consists of two function operators. One is a timer knob, and another a power knob.

POWER/ACTION SELECTOR

You use this operator knob to choose a cooking power level. It is the first step to start a cooking session.

TIMER KNOB

Offers visual timing settings at easy turn of your thumb to select a desired cooking time up to 30 minutes per cooking session. Select Popcorn in order to cook popcorn.

MICROWAVE COOKING

For pure microwave cooking, there are six power levels from which to choose one as best fit to do the job at hand. Select Power level increases with the knob turning clockwise. The power levels can be classified as the following:

	Power Output	Description
1	100%	HIGH
2	85%	M.HIGH
3	66%	MED
4	48%	M.LOW
5	40%	DEFROST*
6	17%	LOW

* Whenever you want to defrost any meal, select defrost in the power knob and then select the weight in the time knob.

OPERATION

To start a cooking session,

1. Place food in oven and close the door.
2. Turn Power Selector to select a power level.
3. Use Timer knob to set a cooking time

NOTE:

As soon as the timer is turned, oven starts cooking.

When selecting time for less than 2 minutes, turn timer past 2 minutes and then return to the correct time.

CAUTION: ALWAYS RETURN TIMER BACK TO ZERO POSITION if food is removed from oven before the set cooking time is complete or when oven is not in use. To stop oven during cooking process, push the door release button or open the door by the handle.

CLEANING AND CARE

1. Turn off the oven and remove the power plug from the wall socket before cleaning.
2. Keep the inside of the oven clean. When food splatters or spilled liquids adhere to oven walls, wipe with a damp cloth. Mild detergent may be used if the oven gets very dirty. Avoid the use of spray and other harsh cleaners as they may stain, streak or dull the door surface.
3. The outside surfaces should be cleaned with a damp cloth. To prevent damage to the operating parts inside the oven, water should not be allowed to seep into the ventilation openings.
4. Wipe the door and window on both sides, the door seals and adjacent parts frequently with a damp cloth to remove any spills or splatters. Do not use abrasive cleaner.
5. Do not allow the control panel to become wet. Clean with a soft, damp cloth. When cleaning the control panel, leave oven door open to prevent oven from accidentally turning on.
6. If steam accumulates inside or around the outside of the oven door, wipe with a soft cloth. This may occur when the microwave oven is operated under high humidity condition. And it is normal.
7. It is occasionally necessary to remove the glass tray for cleaning. Wash the tray in warm sudsy water or in a dishwasher.
8. The roller ring and oven floor should be cleaned regularly to avoid excessive noise. Simply wipe the bottom surface of the oven with mild detergent. The roller ring may be washed in mild sudsy water or dishwasher. When removing the roller ring from cavity floor for cleaning, be sure to replace in the proper position.
9. Remove odors from your oven by combining a cup of water with the juice and skin of one lemon in a deep microwaveable bowl, microwave for 5 minutes. Wipe thoroughly and dry with a soft cloth.
10. When it becomes necessary to replace the oven light, please consult a dealer to have it replaced.
11. The oven should be cleaned regularly and any food deposits removed. Failure to maintain the oven in a clean condition could lead to deterioration of the surface that could adversely affect the life of the appliance and possibly result in a hazardous.
12. Please do not dispose this appliance into the domestic rubbish bin; it should be disposed to the particular disposal center provided by the municipalities.



Disposal of old electrical appliances.

The European directive 2002/96/EC on Waste Electrical and Electronic Equipment (WEEE), requires that old household electrical appliances must not be disposed of in the normal unsorted municipal waste stream. Old appliances must be collected separately in order to optimize the recovery and recycling of the materials they contain, and reduce the impact on human health and the environment. The crossed out "wheeled bin" symbol on the product reminds you of your obligation, that when you dispose of the appliance, it must be separately collected. Consumers should contact their local authority or retailer for information concerning the correct disposal of their old appliance.

DECLARATION OF CONFORMITY:

This device complies with the requirements of the Low Voltage Directive 2014/35/EU and the requirements of the EMC directive 2014/30/EU.

PRÉCAUTIONS À PRENDRE AFIN D'ÉVITER UNE ÉVENTUELLE EXPOSITION À UNE ÉNERGIE MICRO-ONDES EXCESSIVE

1. N'essayez pas de mettre le four en marche lorsque la porte est ouverte. Une telle utilisation vous exposerait dangereusement à l'énergie micro-ondes. Il est important de ne pas aller fausser le système de verrouillage.
2. Ne placez aucun objet entre la face avant du four et la porte et ne laissez aucune salissure ou résidu de produits nettoyants s'accumuler sur les surfaces hermétiques.
3. N'utilisez pas le four s'il est endommagé. Il est particulièrement important de vérifier que la porte ferme correctement et que les éléments suivants n'ont subi aucun dommage:
 - a. Porte (déformation).
 - b. Gonds et verrous (abîmés ou mal fixés).
 - c. Joints de la porte ou surfaces hermétiques.
4. Il est fortement conseillé de ne faire réparer le four que par un personnel de service qualifié.

INSTRUCTIONS DE SÉCURITÉ IMPORTANTES

Lorsque vous utilisez un appareil électrique, il est conseillé de suivre des précautions de sécurité fondamentales, notamment celles qui suivent:

ATTENTION: Pour réduire le risque de brûlures, décharges électriques, incendies, blessures ou exposition à une énergie micro-ondes excessive:

1. Cet appareil peut être utilisé par des enfants 8 ans ou plus et des personnes présentant un handicap physique, sensoriel, mental ou moteur voire ne disposant pas des connaissances et de l'expérience nécessaires en cas de surveillance ou d'instructions sur l'usage de cet appareil en toute sécurité et de compréhension des risques

impliqués. Les enfants ne doivent pas jouer avec l'appareil. Le nettoyage et la maintenance ne doivent pas être effectués par des enfants sans surveillance.

2. Les enfants doivent être surveillés afin de s'assurer qu'ils ne jouent pas avec cet appareil.

3. Gardez l'appareil et le câble à la portée des enfants de moins de 8 ans.

4. ATTENTION: Par mesure de sécurité vis-à-vis des enfants, ne laissez pas les emballages (sac en plastique, carton, polystyrène) à leur portée.

5. Si le cordon d'alimentation est endommagé, adressez-vous à un service technique agréé.

6. Ne débranchez jamais en tirant du cordon.

7. Ne jamais le faire fonctionner si le cordon ou la fiche sont abîmés ou si vous remarquez que l'appareil ne fonctionne pas correctement.

8. Ne pas manipuler l'appareil, les mains mouillées.

9. Ne jamais placer l'appareil près de l'eau ou autre liquide.

10. Avant de nettoyer l'appareil, vérifiez s'il est bien débranché.

11. L'appareil doit être installé suivant les normes

nationaux pour les installations électriques.

12. Cet appareil est seulement apte pour une utilisation domestique.

13. En cas qui vous avez besoin d'une copie du manuel d'instructions, vous pouvez le demander à l'adresse e-mail sonifer@sonifer.es.

14. L'arrière de l'appareil doit être contre le mur.

15. ATTENTION: Il est dangereux pour quiconque autre qu'une personne qualifiée d'effectuer une maintenance ou réparation impliquant le retrait d'un élément protégeant contre l'exposition à l'énergie micro-ondes.

16. ATTENTION: Les liquides ou les aliments ne doivent pas être réchauffés dans des récipients hermétiques car ils seraient susceptibles d'exploser.

17. Si de la fumée apparaît, arrêtez ou débranchez l'appareil et gardez la porte fermée afin d'étouffer les flammes éventuelles.

18. Réchauffer des boissons au micro-ondes peut provoquer un jaillissement brusque et différé de liquide. Prenez donc garde lorsque vous manipulez le récipient.

19. Il est conseillé de remuer ou d'agiter le contenu des biberons et des petits pots pour bébés, ainsi que de

vérifier leur température avant de les servir afin d'éviter toute brûlure.

20. Ne faites pas frire d'aliments dans le four. L'huile bouillante peut endommager les éléments du micro-ondes, ses ustensiles et entraîner des brûlures cutanées.

21. **AVERTISSEMENT** : Le four ne doit pas fonctionner avant d'être réparé par une personne agréée si la porte ou les joints de la porte sont endommagés.

22. Utilisez uniquement des ustensiles appropriés pour le four à micro-ondes.

23. Surveillez le four lorsque les aliments sont réchauffés dans des récipients en plastique ou en papier, il existe un risque d'ignition.

24. Le four à micro-ondes est conçu pour réchauffer des boissons et des aliments. Utiliser l'appareil pour sécher des aliments ou des vêtements et pour réchauffer des oreillers, des chaussons, des éponges, des vêtements humides ou tout autre article similaire peut entraîner un risque de blessure, d'ignition ou d'incendie.

25. Le four doit être nettoyé régulièrement et tous les résidus d'aliments doivent être retirés.

26. La surface du four risque de se détériorer s'il n'est pas correctement nettoyé, cela peut affecter défavorablement la vie de l'appareil et entraîner une situation dangereuse.

27. **AVERTISSEMENT** : Vérifiez que le four n'a subi aucun dommage, par exemple, que la porte ne soit pas mal alignée ou faussée, que les joints hermétiques de la porte et les surfaces d'étanchéités ne soient pas usés, que les verrous ou les charnières ne soient pas cassés ou dévissés, et que l'intérieur du four ou la porte ne soit pas bosselée. N'utilisez pas le four en cas de dommage et contactez le service technique agréé.

28. Lisez toutes les instructions avant d'utiliser l'appareil.

29. Utilisez cet appareil uniquement selon l'usage pour lequel il est destiné, comme décrit dans ce manuel. N'appliquez pas de produits ou de vapeurs chimiques corrosifs sur cet appareil. Ce four est exclusivement destiné pour réchauffer, cuire ou déshydrater les aliments. Il n'a pas été conçu pour un usage industriel ou en laboratoire.

30. Ne faites pas fonctionner le four à vide.

31. Pour réduire le risque d'incendie dans la cavité du four:

Enlevez les liens métalliques des sacs en plastique ou en papier avant de les mettre dans le four.

N'utilisez pas la cavité du four pour y ranger des objets. N'y laissez pas d'éléments en papier, d'ustensiles de cuisine ou d'aliments lorsque le four ne fonctionne pas.

32. Ne faites pas frire d'aliments dans le four. L'huile bouillante peut endommager les éléments du micro-ondes, ses ustensiles et entraîner des brûlures cutanées.

33. Percez les aliments dont la peau est épaisse, tels que les pommes de terre, les citrouilles, les pommes et les châtaignes, avant de les cuire.

34. Il est possible que les ustensiles de cuisson deviennent chauds en raison de la chaleur transmise par la nourriture réchauffée. Vous aurez certainement besoin de gants de cuisine pour les manipuler.

35. Il est conseillé de vérifier que les ustensiles conviennent à une utilisation au four à micro-ondes.

36. Ce produit est un appareil ISM du Groupe 2 de Classe B. Le Groupe 2 contient tout l'équipement ISM (Industriel, Scientifique et Médical) générant et/ou utilisant l'énergie à fréquence radioélectrique sous forme de rayonnement

électromagnétique pour le traitement et l'érosion par étincelage des matériaux. Le matériel de Classe B convient à une utilisation dans les établissements domestiques ainsi que dans ceux étant directement reliés à un réseau d'alimentation électrique de faible tension, et approvisionnant les bâtiments utilisés à des fins domestiques.

37. **ATTENTION:** La surface peut rester chaud pendant ou après l'utilisation.

38. N'utilisez pas l'appareil en le branchant à une minuterie ni à un système séparé de contrôle à distance.

39. **AVERTISSEMENT:** En cas de mauvaise utilisation de l'appareil, il ya un risque de blessure.

CARACTÉRISTIQUES

Consommation d'énergie:	230V~ 50Hz, 1200W(Microwave)
Puissance de sortie nominale du four:	700W
Fréquence utilisée:	2450MHz
Dimensions externes:	262mm(H)×452mm(W)×345mm(D)
Dimensions de la cavité du four:	198mm(H)×315mm(W)×297mm(D)
Capacité du four	Compact 20Litres
Cuisson uniforme:	Turntable System
Poids net:	Approx.10.5 kg

INSTALLATION

1. Assurez-vous que la totalité du matériel d'emballage a bien été retiré de l'intérieur de la porte.
2. **ATTENTION :** Vérifiez que le four n'a subi aucun dommage, tel qu'un défaut d'alignement ou une déformation de la porte, une détérioration des joints ou des surfaces hermétiques, des gonds et verrous

de porte cassés ou mal fixés, ainsi que des bosses à l'intérieur de la cavité ou sur la porte. Dans l'un de ces cas, n'utilisez pas le four et contactez un personnel de service qualifié.

3. Le four à micro-ondes doit être placé sur une surface plane et stable de sorte qu'elle puisse supporter le poids de ce dernier ainsi que la nourriture la plus lourde susceptible d'être mise dans le four.
4. N'installez pas le four dans un endroit dans lequel s'accumulent chaleur, moisissure ou humidité importante, ou encore près de matières combustibles.
5. Pour une utilisation correcte, assurez-vous que la circulation de l'air autour du four est suffisante. Laissez un espace de 20 cm au-dessus de l'appareil, 10 cm à l'arrière et 5 cm entre les faces latérales et les murs. Ne couvrez ni n'obstruez aucun des orifices de ventilation du micro-ondes. Ne retirez pas ses pieds.
6. N'utilisez pas le four sans que le plateau en verre, le support à roulettes et l'axe ne soient correctement positionnés.
7. Assurez-vous que le câble d'alimentation électrique n'est pas endommagé et qu'il ne traîne pas en dessous du four ou sur toute autre surface chaude ou élément tranchant.
8. La prise de courant doit être rapidement accessible pour que l'appareil puisse être débranché facilement en cas d'urgence.
9. N'utilisez pas le four à l'extérieur.

BROUILLAGE RADIOÉLECTRIQUE

L'utilisation du four à micro-ondes peut provoquer des interférences au niveau de la radio, de la télévision ou d'autres appareils similaires.

En cas d'interférence, vous pouvez réduire ou éliminer ce désagrément en prenant les mesures suivantes:

1. Nettoyez la porte et les surfaces hermétiques du four.
2. Réorientez l'antenne réceptrice de la radio ou de la télévision.
3. Repositionnez le four à micro-ondes par rapport au récepteur.
4. Éloignez le four à micro-ondes du récepteur.
5. Branchez le four à micro-ondes sur une prise différente de celle du récepteur de sorte que les deux appareils se trouvent sur deux circuits de branchement différents.

BASES DE LA CUISSON AU MICRO-ONDES

1. Répartissez soigneusement la nourriture. Faites en sorte que les parties les plus épaisses soient placées vers l'extérieur du plat.
2. Surveillez le temps de cuisson. Programmez le temps de cuisson le plus court possible et ajoutez quelques minutes de plus si nécessaire. Les aliments beaucoup trop cuits peuvent fumer ou s'embraser.
3. Couvrez les aliments lorsque vous les cuisez. Les couvrir évite les éclaboussures et permet à la nourriture de cuire uniformément.
4. Retournez les aliments tels que le poulet ou les hamburgers de temps en temps à mesure que le four tourne pour accélérer leur cuisson. Les gros morceaux tels que les rôtis doivent être retournés plus d'une fois.
5. Une fois la première moitié du temps de cuisson atteinte, vous pouvez modifier la disposition des aliments telles que les boulettes de viande, aussi bien de haut en bas que du centre du plat vers ses extrémités.

INSTRUCTIONS DE MISE À LA TERRE

Cet appareil doit être mis à la terre. Ce four est équipé d'un câble doté d'un fil de terre et d'une prise de terre. Il doit être branché à une prise de courant fixée à demeure correctement installée et mise à la terre. En cas de court-circuit électrique, la mise à la terre réduit le risque de décharge en permettant au courant de s'échapper par un autre fil. Il est recommandé de se munir d'un circuit séparé à usage exclusif du four. Utiliser une tension élevée comporte des risques et peut provoquer un incendie ou autre accident susceptible d'endommager le four.

ATTENTION : Une utilisation inappropriée de la prise de terre peut mener à un risque de décharge électrique.

Remarques :

1. Si vous avez des questions sur la mise à la terre ou les consignes concernant l'électricité, demandez conseil auprès d'un électricien qualifié ou d'une personne compétente.
2. Le fabricant et le distributeur se dégagent de toute responsabilité en cas de détérioration quelconque du four ou de dommage personnel suite à la non-observation des procédures de connexion électrique.

Les fils de ce câble secteur portent leur couleur en respectant le code suivant:

Vert et Jaune = TERRE

Bleu = NEUTRE

Marron = PHASE

AVANT DE DEMANDER ASSISTANCE

Si le four ne fonctionne pas :

1. Assurez-vous que le four est bien branché. Si ce n'est pas le cas, débranchez-le et attendez 10 secondes avant de le rebrancher à nouveau.
2. Vérifiez qu'aucun plomb du circuit n'a sauté ou que le disjoncteur principal ne s'est pas déclenché. Si tout semble fonctionner correctement, essayez la prise sur un autre appareil.
3. Vérifiez bien que le panneau de commande est correctement programmé et que la minuterie est réglée.
4. Assurez-vous que la porte est correctement fermée en enclenchant son système de fermeture. Dans le cas contraire, l'énergie micro-ondes ne circulera pas à l'intérieur du four.

SI AUCUNE DE CES INDICATIONS NE RÉSOUT LA SITUATION, CONTACTEZ DANS CE CAS UN TECHNICIEN QUALIFIÉ. N'ESSAYEZ PAS DE MANIPULER OU DE RÉPARER LE FOUR VOUS-MÊME.

CONSEILS POUR L'UTILISATION DES USTENSILES

1. L'ustensile idéal est transparent aux micro-ondes, car il permet à l'énergie de traverser le récipient et de réchauffer les aliments.
2. Les micro-ondes ne peuvent pénétrer le métal, il est donc fortement déconseillé d'utiliser des ustensiles ou des plats métalliques.
3. N'utilisez pas de produits en papier recyclé pour la cuisson au micro-ondes car ils sont susceptibles de

contenir des petits fragments de métal pouvant provoquer des étincelles et/ou un incendie.

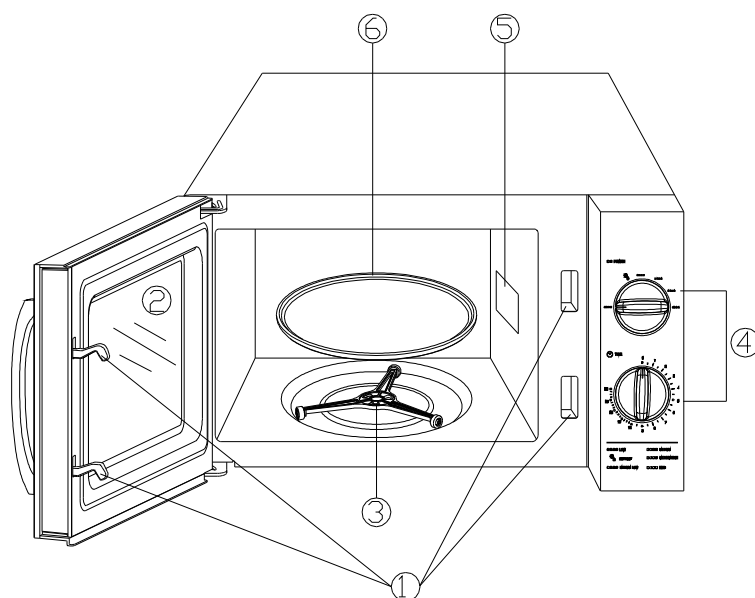
4. Il est recommandé d'utiliser des plats ronds/ovaux plutôt que des plats carrés/rectangulaires étant donné que la nourriture située dans les coins a tendance à trop cuire.

1. De fines bandes de papier d'aluminium peuvent être utilisées pour éviter aux zones exposées de trop cuire. Mais faites attention à ne pas en utiliser trop et gardez une distance de 2,5 cm entre le papier d'aluminium et la paroi de la cavité.

La liste ci-dessous est un guide général pour vous aider à choisir les ustensiles appropriés.

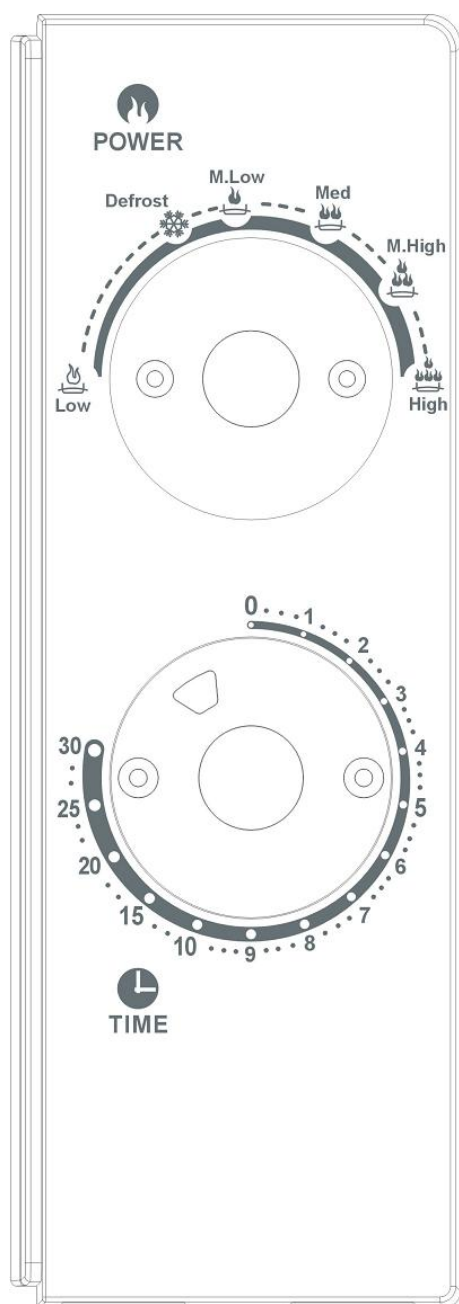
MATÉRIEL DE CUISSON	MICRO-ONDES
Verre résistant à la chaleur	Oui
Verre non-résistant à la chaleur	Non
Céramique résistant à la chaleur	Oui
Plat en plastique adapté au micro-ondes	Oui
Essuie-tout	Oui
Plateau métallique	Non
Support métallique	Non

NOM DES ÉLÉMENTS



1. Système de fermeture de sécurité de la porte
2. Fenêtre du four
3. Support à roulettes
4. Panneau de commande
5. Guide d'ondes
6. Plateau en verre

PANNEAU DE COMMANDE



Le panneau de commande dispose de deux boutons de fonctionnement. L'un pour le temps de cuisson, l'autre pour la puissance.

TOUCHE DE MISE EN MARCHE/PROGRAMMATION

Ce bouton sert à choisir le niveau de puissance de la cuisson. C'est la première étape à réaliser pour le processus de cuisson.

BOUTON MINUTERIE

Ce bouton vous permet de visualiser le temps de cuisson (jusqu'à 30 minutes par session) que vous pouvez facilement régler à l'aide du pouce. Sélectionnez Popcorn afin de faire cuire du maïs soufflé.

CUISSON AU MICRO-ONDES

Pour une cuisson uniquement au micro-ondes, vous devez choisir le niveau de puissance le plus adapté à la cuisson que vous allez réaliser, parmi les six disponibles.

Le niveau de puissance augmente lorsque vous tournez le bouton vers la droite. Les niveaux de puissance peuvent être classés comme suit:

	Puissance fournie	Description
1	100%	FORTE
2	85%	MOYENNE-FORTE
3	66%	MOYENNE
4	48%	MOYENNE-FAIBLE
5	40%	DÉCONGÉLATION
6	17%	FAIBLE

* Chaque fois que vous voulez pour dégivrer tous les repas, sélectionnez « defrost » dans le bouton de puissance, puis sélectionnez le poids sur le bouton de temps.

FONCTIONNEMENT

Pour démarrer un programme de cuisson:

1. Mettez votre plat dans le four et fermez la porte.

2. Tournez le bouton de Mise marche pour sélectionner le niveau de puissance.
3. Utilisez le bouton de la minuterie pour régler le temps de cuisson.

REMARQUE: Une fois le bouton de la minuterie enclenché, le four démarre la cuisson.

Si vous voulez sélectionner un temps inférieur à 2 minutes, tournez le bouton au-delà de ce temps, puis remplacez-le au temps de cuisson voulu.

ATTENTION: REMETTEZ TOUJOURS LE BOUTON DE LA MINUTERIE À ZÉRO si la nourriture est enlevée du four avant la fin du temps de cuisson ou lorsque vous n'utilisez pas le four. Pour arrêter le four pendant la cuisson, appuyez sur le bouton d'ouverture de la porte ou ouvrez la porte à l'aide de la poignée.

NETTOYAGE ET ENTRETIEN

1. Avant le nettoyage, fermez et débranchez le four.
2. Gardez l'intérieur du four propre. Lorsque des éclaboussures d'aliments ou de liquides adhèrent aux parois du four, nettoyez-les avec un chiffon humide. Vous pouvez utiliser un détergent doux si le four devient très sale. Évitez l'utilisation d'aérosols et de détergents agressifs qui peuvent tâcher, marquer ou affecter la surface de la porte.
3. Les parties extérieures doivent être nettoyées avec un chiffon humide. Pour ne pas endommager les pièces de fonctionnement situées à l'intérieur du four, évitez de laisser de l'eau couler dans les orifices de ventilation.
4. Essuyez la porte et la fenêtre à l'intérieur et à l'extérieur, les joints de la porte et les parties visibles avec un chiffon humide pour éliminer les éclaboussures. N'utilisez pas de détergent abrasif.
5. Ne laissez pas l'eau mouiller le panneau de commande. Nettoyez-le avec un chiffon doux et humide. Lorsque vous nettoyez le panneau de commande, laissez la porte ouverte pour éviter que le four ne s'allume accidentellement.
6. Si de la vapeur s'accumule à l'intérieur ou à l'extérieur de la porte du four, essuyez-la avec un chiffon doux. Ceci est normal et peut se produire lorsque le four fonctionne dans des conditions humides.
7. Il est parfois nécessaire de retirer le plateau en verre pour le nettoyer. Lavez-le dans de l'eau savonneuse ou au lave-vaisselle.
8. Le support à roulettes et la base du four doivent être nettoyés régulièrement pour éviter qu'ils ne deviennent trop bruyants. Essuyez simplement la base du four avec un détergent doux. Le support à roulettes peut être lavé dans de l'eau savonneuse tiède ou au lave-vaisselle. Lorsque vous retirez le support à roulettes de la cavité pour le nettoyer, assurez-vous de le replacer correctement.
9. Pour éliminer les odeurs de votre four, mélangez le jus et la peau d'un citron et un verre d'eau dans un bol adapté au micro-ondes. Faites fonctionner le four pendant 5 minutes. Essuyez bien et séchez avec un chiffon doux.
10. Adressez-vous à votre distributeur lorsqu'il devient nécessaire de faire remplacer la lampe de votre four.
11. Nettoyez régulièrement le four et enlevez tout dépôt alimentaire de l'intérieur de l'appareil. S'il n'est pas maintenu dans un état de propreté correct, sa surface pourrait se dégrader et affecter de façon inexorable la durée de vie de votre appareil, et conduire ainsi à une situation dangereuse.
12. Veuillez ne pas jeter cet appareil à l'endroit où vous jetez généralement vos déchets domestiques ordinaires; ce four à micro-ondes doit être déposé dans un point de collecte spécial mis à disposition par la municipalité.



Enlèvement des appareils ménagers usagés.

La directive européenne 2002/96/EC sur les Déchets des Equipements Electriques et Electroniques (DEEE), exige que les appareils ménagers usages ne soient pas jetés dans le flux normal des déchets municipaux. Les appareils usagés doivent être collectés séparément afin d'optimiser le taux de récupération et le recyclage des matériaux qui les composent, et réduire l'impact sur la santé humaine et l'environnement. Le symbole de la poubelle barrée est apposée sur tous les produits pour rappeler les obligations de collète séparée. Les consommateurs devront contacter les autorités locales ou leur revendeur concernant la démarche à suivre pour l'enlèvement de leur vieil appareil.

DÉCLARATION DE CONFORMITÉ:

Cet appareil est conforme aux exigences de la Directive Basse Tension 2014/35/EU et aux exigences de la directive EMC 2014/30/EU.